



447100 110 Volt Motor 447100 220 Volt Motor



Operating and Maintenance Instructions



Read and Understand Operating Instructions
Before Operating Tool

Elliott Tool Technologies Ltd • 1760 Tuttle Avenue • Dayton, Ohio 45403 U.S.A.
Phone: +1 800 332 0447 • +1 937 253 6133 • Fax: +1 937 253 9189

Elliott Tool Technologies UK Ltd • Broadstone Hill • Old Chalford • Chipping Norton • OXON • OX7 5QL • England
Phone: +44 (0) 1608 672815 • Fax: +44 (0) 1608 672810

READ AND UNDERSTAND ALL INSTRUCTIONS BEFORE OPERATING THIS TOOL



To reduce the risk of injury, everyone using, installing, repairing maintaining, changing accessories on, or working near this tool **MUST** read and understand these instructions before performing any such task.

Elliott Tool Technologies mission is "To be recognized by our customers as the world's best provider of application solutions".

The most important safety device for this or any tool is **YOU**. Your care and good judgement are the best protection against injury. All possible hazards cannot be covered here, but we have tried to highlight some of the important ones.

For additional safety information consult:

- U.S. Department of Labor, (O.S.H.A.); Council of the European Communities and or local codes.
- Your employer union and/or trade association.

GROUND ALL TOOLS This tool should always be plugged into a three hole electrical receptacle. If an adapters used to accommodate a two hole receptacle, the grounding ear must be attached to a known ground. **Never remove the third prong.**

Inspect power cord and plug each time prior to using the tool. Any torn or frayed cord must be immediately replace by a qualified electrical service tool technician.

• Do not abuse the power cord. Never carry the tool by the cord or yank it to disconnect from the receptacle to disconnect.

• Always disconnect the tool from the power source before making any adjustments to tool accessories connected to the tool.

• Prevent body contact with grounded surfaces such as pipes and other structures.

- Always wear impact resistant eye and face protection when involved with or near the operation, repair or maintenance of the tool or while changing accessories on the tool.
- Be sure all others in the area are wearing impact resistant eye and face protection.
- On overhead work wear a safety helmet.

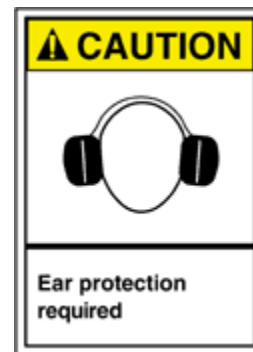


- Avoid direct contact with accessory and work surface during and after work as they become heated and sharp. Wear Gloves to protect hands.
- Operators and maintenance personnel must be physically able to handle the bulk, weight and power of the tool.
- Holding the accessory with the free hand can be a source of vibration exposure or injury.
- To avoid injury from entanglement, do not wear loose clothing.

- Never use dull accessories as they require excessive work pressure and can break from fatigue.
- Never cool a hot accessory in water, brittleness and early failure can result.
- This tool and its accessories **MUST NOT** be modified in any way.

• Slip-Trip-Fall is a major cause of serious injury or even death. Beware of excess hose left on the walking or work surface.

• High sound levels can cause permanent hearing loss. Use hearing protection as recommended by your employer or OSHA regulation (see CFR part 1910).



READ AND UNDERSTAND ALL INSTRUCTIONS BEFORE OPERATING THIS TOOL

Safety Instructions Continued

- Maintain balanced body position and secure footing.
- Repetitive work motions, awkward positions and exposure to vibration can be harmful to hands and arms. If numbness, tingling, pain or whitening of skin occurs, stop using this tool and consult a physician.
- Avoid inhaling dust or debris from work process which can be harmful to your health.
- proceed with care in unfamiliar surroundings. Hidden hazards may exist, such as electric or other utility lines.
- This tool is not intended for use in an explosive atmosphere and is not insulated for contact with electrical power sources.
- Do not operate this tool if it is wet and/or in humid ambient conditions.
- When operating this tool always hold with both hands and maintain a safe distance.
- Do not operate this tool without the torque reaction Handle.
- Always use sharp cutting accessories to prevent tool lock up.
- Always consider the torque reaction of this tool, especially when the tool's cutting accessory locks.

Protection

Wrong handling can result in injury to the operator and/or damage to the tool. The tool must be used with sharp cutting accessories to improve cutting capacity and protect the tool. Locking the tool may cause overload, the gear box is equipped with a clutch for locking protection.

Assembly Instructions

With the tool disconnected from its power source, screw in the torque reaction handle. The tool is supplied with a number 3 Morse Taper adapter to 3/4" square female socket.

Operating Voltage

The operating voltage must correspond with that on the identification plate. Machines designed for 110 volts may also operate on 120 volts.

Changing Speeds

Model 447100 is equipped with a two speed gear box with the low speed rating of 75 RPM and the high speed rating of 230RPM. To change gears disconnect the tool from its power source, then pressing in on the gear selector (Located on the under side of the tool's spindle) slide it forward or back to change the motor's speed.

Care and Maintenance

Due to the design this tool requires minimum care maintenance. Nevertheless, you should always observe the following:

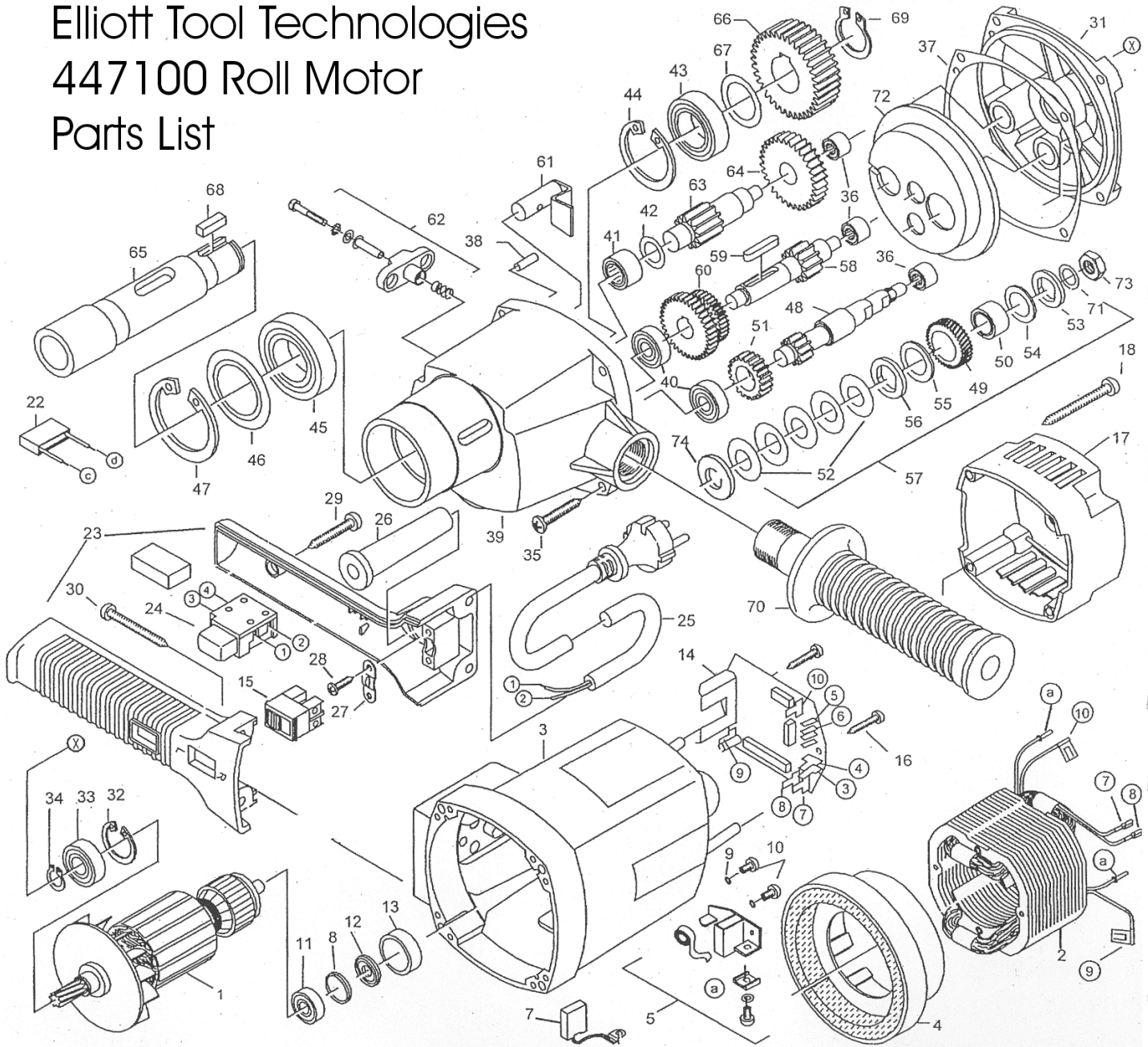
Keep the electric tool clean.

Do not allow any foreign matter to pass inside the tool. After 300 hours use of operation, the carbon brushes have to be checked by a qualified technician. If they are .196" (5.0mm), they must be replaced by new, original brushes. The new brushes must be run in by a 20 minute idle run of the tool.

Elliott Tool Technologies

447100 Roll Motor

Parts List



447100 Roll Motor Parts List

Item Number	Description	Elliott Part Number	Item Number	Description	Elliott Part Number
1	Rotor, Complete	447100D1	39	Gearbox Housing	447100D39
2	Stator, Complete	447100D2	40	Bearing	447100D40
3	Motor Housing	447100D3	41	Needle Bearing	447100D41
4	Air Guiding Ring	447100D4	43	Ball Bearing	447100D43
5	Carbon Brush Holder	447100D5	44	Locking Ring	447100D44
7	Carbon Brushes	447100D7	45	Grooved Ball Bearing	447100D45
8	Disk	447100D8	46	Disk F. Grooved Ball Bearing	447100D46
9	Spring Disk 34	447100D9	47	Locking Ring	447100D47
10	Screw M4x12	447100D10	48	Intermediate Shaft 1	447100D48
11	Ball Bearing	447100D11	49	Coupling Wheel	447100D49
12	Magnet Ring	447100D12	50	Gear Sleeve	447100D50
13	Bearing Seal	447100D13	51	Intermediate Wheel 1	447100D51
14	Circuit Board	447100D14	52	Spring Washer	447100D52
15	Reverse Switch	447100D15	53	Washer	447100D53
16	Self Tapping Screw	447100D16	54	Washer	447100D54
17	Motor Cap	447100D17	55	Clutch Washer	447100D55
18	Screw	447100D18	56	C-Clip	447100D56
22	Condenser	447100D22	57	Coupling, Complete	447100D57
23	Side Handle	447100D23	58	Intermediate Shaft 2	447100D58
24	Trigger Switch	447100D24	59	Fitting Spring, Hardened	447100D59
25	Connection Cable	447100D25	60	Cluster Gears	447100D60
26	Cable Sleeve	447100D26	61	Coupling Bolt	447100D61
27	Wire Lock	447100D27	62	Gear Switch	447100D62
28	Screw 4.2x16	447100D28	63	Intermediate Shaft 3	447100D63
29	Screw	447100D29	64	Intermediate Wheel 2	447100D64
30	Self Tapping Screw	447100D30	65	Work Spindle	447100D65
31	End Shield	447100D31	66	Spindle Wheel	447100D66
32	Safety Ring 28/1.2	447100D32	67	Fitting Disk	447100D67
33	Bearing	447100D33	68	Fitting Spring	447100D68
34	Safety Ring	447100D34	69	Locking Ring	447100D69
35	Screw 4.2x16	447100D35	70	Tube Handle, Complete	447100D70
36	Needle Sleeve	447100D36	71	Disk Spring	447100D71
37	Paper Seal	447100D37	72	Grease Chamber	447100D72
38	Notched Pin 5x16	447100D38	73	Nut, Hex 8m 10x1	447100D73



***tube
expanders***

- Boiler Expanders
- Heat Exchanger Expanders
- Condenser Expanders
- Refinery Expanders

***tube rolling motors
& torque controls***

- Electric
- Pneumatic

***tube
cleaners***

- Air & Water Driven Motors
(Internal/External Drives)
- Jiffy Guns
("Shoot-Thru" Devices)
- Roto-Jet
(Rotating Flex Shaft)

***additional
products***

- Tube and Joint Testers
- Tube Plugs
(High & Low Pressure)

***retubing
tools***

- Tube Gauges
- Tube Cutters
- Manual Tools
- Spear Type Tube Pullers
- Collet-Type Tube Pullers
- CYCLGRIP Tube Extractors
- Grooving Tools
- End-Prep Tools

***metal working
products***

- Back Chamfering Tools
- Carbide Roller Burnishing Tools
- Diamond Burnishing Tools
- Elliptical Deburring Tools
- Fine Boring Tools
- Internal Recessing Tools
- Magic Vise
- Mechanical Joining Tools
- Roller Burnishing Tools
- Single Blade Reamers

